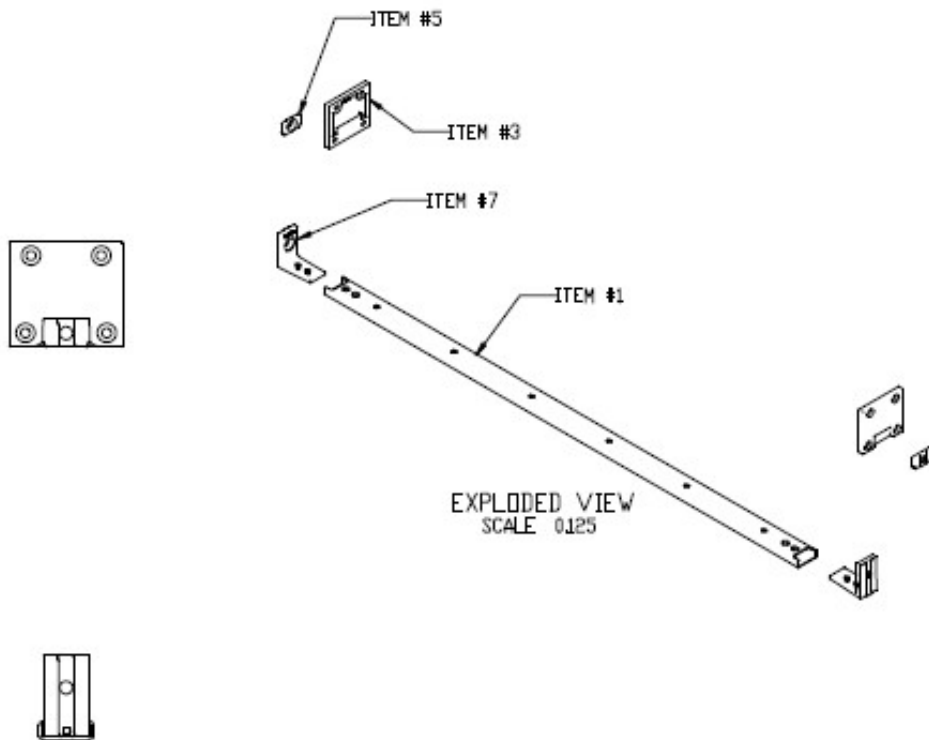


Knoll

Interpole Storage - Horizontal Cabinets - Installation Instructions



In order to have access to the screws thru the stiffener into the bottom shelf of the cabinet, build from the top down.

Begin by screwing the L brackets into the ends of the stiffener. (4 small 10-24 Flathead screws) Stiffener should have slight bow so that the center is up toward the L bracket legs.

Install stiffener (with legs of L bracket upward) setting the top of the stiffener at the horizontal elevation same as bottom of cabinet. (Use (2) M8 x 12mm long Flathead screw into M8 slot nut. Torque screws.)

Attach dovetail spacer (rectangular plate) to each side of cabinet. (Use 8 flathead screws.) Measure from bottom of dovetail spacer to bottom of cabinet.

Mount small dovetail block above Stiffener by measured dimension. (Use (2) M8 x 12mm long Flathead screw into M8 slot nut. Torque screws.)

Set cabinet onto stiffener allowing dovetail blocks to insert into the spacers. Tap down to seat. Install screws through stiffener into bottom shelf of cabinet.

Top of next Stiffener down should be positioned 16" from the underside of the stiffener above. Repeat above steps.